

EDGE™ SERIES

VICTOR® *Professional*



**NEW Edge™ Series Products:
OUTFITS and REGULATORS**

- NOW Including ESS3 Models and More Edge Series Outfits
- User Friendly
- Advanced Design
- Outstanding Flow Performance
- Unsurpassed Safety

Innovative NEW Edge™ Series Regulators

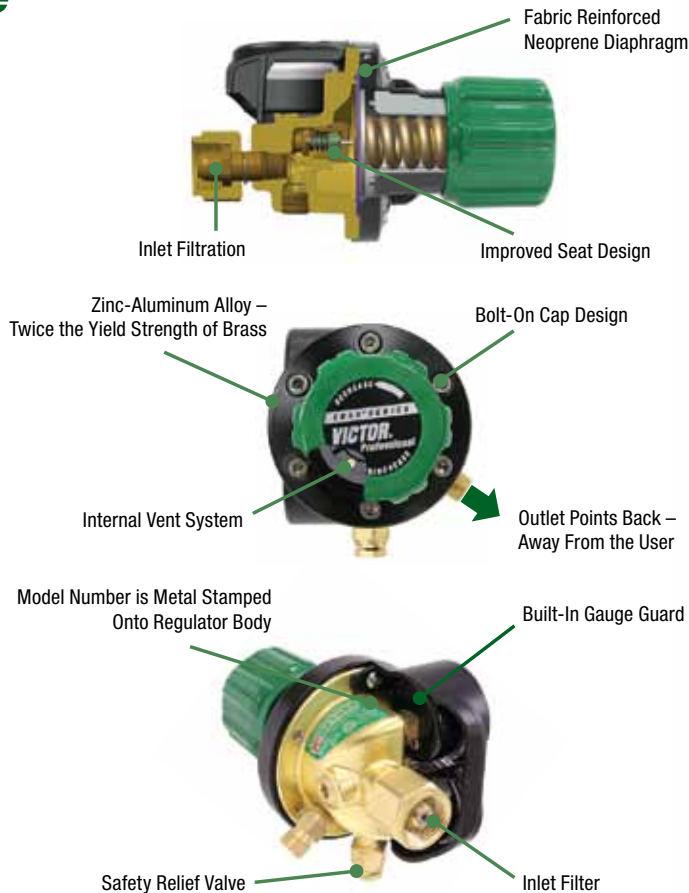
Victor® has been the leader in gas equipment since our humble beginnings. We were founded on the principle of offering the safest, most reliable and highest quality gas equipment in the business. With the Victor Professional Edge Series regulators, Victor has breathed new life into gas control technology, giving you more value for your purchase.

It's **easy to use**. The Edge Series regulators have gauges with enhanced graphics, color-coded knobs for quick gas identification, and offer better hand/body positioning while adjusting delivery pressure.

The **advanced design** makes them the smallest, lightest, most compact industrial regulators available on the market.

Unsurpassed safety – The Edge Series regulators pass the most stringent testing: ASTM G-175 promoted ignition test, all CGA E-4 compliance testing, Heated Oxygen Impact Test, and meet or exceed all requirements of UL 252.

Outstanding flow performance – Outperforming the competition, the Victor Professional Edge Series regulators offer a more consistent delivery over a wide range of cylinder pressures.



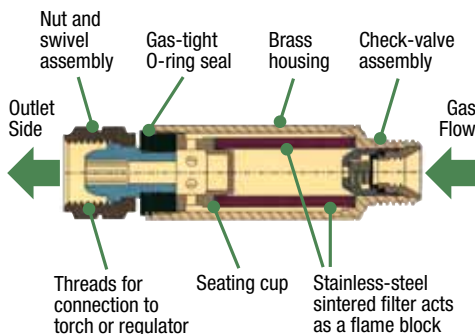
The Vic Profess EDGE™ Story...

Safety Accessories

The Flashback Arrestor

PREVENTS FLASHBACK.

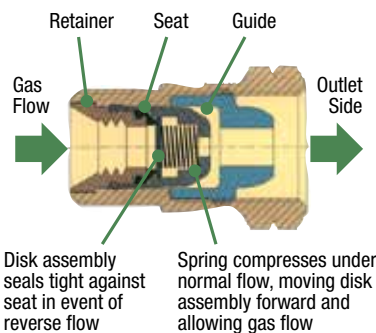
- Designed to prevent flashback from torch to hose
- For use with most oxy-fuel welding & cutting torches
- Greater flow than competitive models
- Built-in reverse flow check valves
- Available in torch and regulator models



The Check Valve

PREVENTS THE REVERSE FLOW OF GASES.

- Help prevent gases from traveling back into the fuel supply or Oxygen system, creating a mixed gas condition
- Available in torch and regulator models
- Will not stop a flashback alone
- Single and pair packs



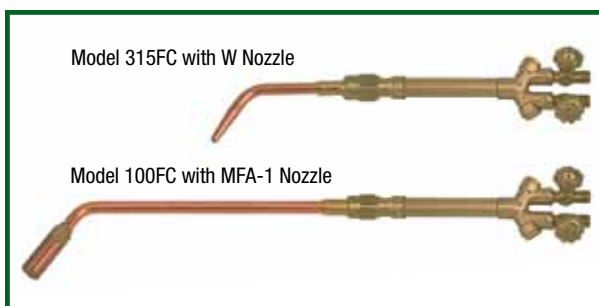
tor®
ional
Series



All NEW
Edge Series
Outfits Come
with the
Edge Series
Regulators



Nozzles



Compact balanced attachments:

For welding, cutting or heating. Each torch handle is designed for optimal balance and feel with its own nozzles and attachments. With proper balance of length and weight, operator fatigue is minimized.

Cutting Tips

Victor® Professional and CutSkill® Tips:

Available in a variety of types and sizes for any of your applications. **Color-coded packaging for appropriate gases (Victor exclusive).** Our tips will meet all of your cutting requirements, guaranteed.

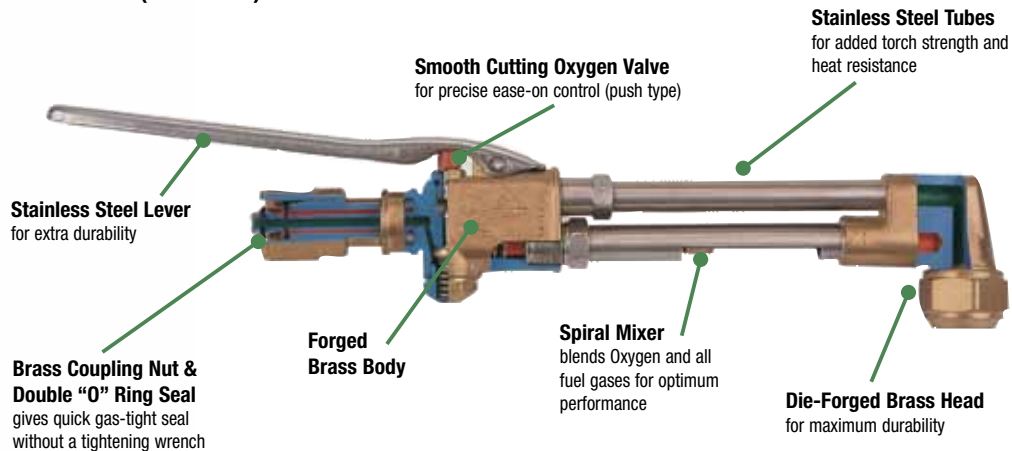


Acetylene	Red
Propylene	Orange
Natural Gas	Blue
Propane	Blue

Quality Torch Handles and Cutting Attachments

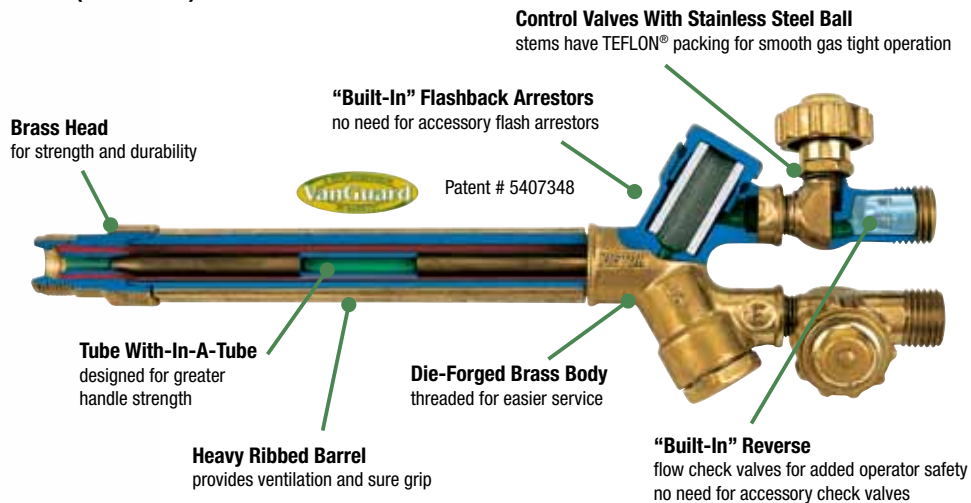
Cutting Attachment Design and Construction

Model CA 2460 (Illustrated)



Torch Handle Design and Construction

Model 315FC (Illustrated)



Rugged, Efficient Design - Threaded Assembly for Ease of Service

Victor® torch handles give you twice the value.

Each torch handle is designed and built to withstand rugged job site conditions. In case of damage, Victor's threaded assembly design lets you replace parts quickly and economically.

Performance proven Tube-Within-A-Tube design.

Victor torch handles include one Oxygen tube within a massive, heavy ribbed handle which also serves as the gas tube. The result is greater strength and durability plus a reduction in overall size and weight for ease of operation.

Victor Professional Products Come with a Standard 5 Year Warranty.

EDGE™ Series Outfits

VICTOR® Professional

Journeyman®

This heavy duty outfit cuts up to 3/4" (19.1mm) or 8" (203.2mm) with optional tips. It welds up to 1/2" (12.7mm) or 3" (76.2mm) with optional nozzles.

- ESS4 Series Regulators
- H 315FC Torch Handle with Built-in Flashback Arrestors & Check Valves
- CA 2460 Cutting Attachment
- W Welding Nozzles, Sizes: 1, 3, 5
- MFA Heating Nozzle, Size: 8
- 1-1-101 Cutting Tip
- T-grade Hose 20' x 1/4" (6.1m x 6.4mm)
- Striker and Tip Cleaner
- Soft-sided Shade 5 Goggles



Journeyman II

This heavy duty outfit cuts up to 3/4" (19.1mm) or 8" (203.2mm) with optional tips. It welds up to 1/8" (3.2mm) or 3" (76.2mm) with optional nozzles.

- ESS4 Series Regulators
- 315FC Torch Handle with Built-in Flashback Arrestors & Check Valves
- CA 2460 Cutting Attachment
- W Welding Nozzle, Size: 2
- 1-1-101 Cutting Tip
- T-grade Hose 20' x 1/4" (6.1m x 6.4mm)
- Striker and Tip Cleaner
- Soft-sided Shade 5 Goggles



Contender®

This heavy duty outfit cuts up to 3/4" (19.1mm) or 8" (203.2mm) with optional tips. It welds up to 3" (76.2mm) with optional nozzles.

- ESS3 Series Regulators
- 315FC Torch Handle with Built-in Flashback Arrestors & Check Valves
- CA 2460 Cutting Attachment
- MFA Heating Nozzle, Size: 6
- 1-1-101 Cutting Tip
- T-grade Hose 20' x 1/4" (6.1m x 6.4mm)
- Striker



Contender AF

This heavy duty outfit is capable of cutting up to 8" (203.2mm) with the appropriate cutting tip.

- ESS3 Series Regulators
- 315FC Torch Handle with Built-in Flashback Arrestors & Check Valves
- CA 2460 Cutting Attachment
- Type 55 Heating Nozzle, Size: 8
- 1-1-GPN Cutting Tip
- T-grade Hose 20' x 1/4" (6.1m x 6.4mm)
- Striker



Performer®

This medium duty outfit cuts up to 1/2" (12.7mm) or 6" (152.4mm) with optional tips. It welds up to 1/4" (6.4mm) or 1.25" (31.8mm) with optional nozzles.

- ESS3 Series Regulators
- 100FC Torch Handle with Built-in Flashback Arrestors & Check Valves
- CA 1350 Cutting Attachment
- W-1 Welding Nozzle, Size: 0
- MFA-1 Heating Nozzle, Size: 4
- 0-3-101 Cutting Tip
- T-grade Hose 12.5' x 3/16" (3.8m x 4.8mm)
- Striker and Tip Cleaner
- Soft-sided Shade 5 Goggles



Cutter® Select ST 2600FC

This heavy duty outfit is capable of cutting up to 8" (203.2mm) with the appropriate cutting tip.

- ESS4 Series Regulators
- ST 2600FC Cutting Torch with Built-in Flashback Arrestors & Check Valves



Ordering Information

Part No.	Description	Torch Handle	Cutting Attachment	Welding Nozzle	Cutting Tip	Heating Nozzle	Oxygen Regulator	Fuel Gas Regulator
0384-2035	Journeyman – Edge Series	H 315FC	CA 2460	(W) 1,3,5	1-1-101	8-MFA	ESS4-125-540	ESS4-15-300
0384-2036	Journeyman – Edge Series	H 315FC	CA 2460	(W) 1,3,5	1-1-101	8-MFA	ESS4-125-540	ESS4-15-510
0384-2040	Journeyman II – Edge Series	315FC	CA 2460	(W) 2	1-1-101	-	ESS4-125-540	ESS4-15-300
0384-2041	Journeyman II – Edge Series	315FC	CA 2460	(W) 2	1-1-101	-	ESS4-125-540	ESS4-15-510
0384-2050	Contender – Edge Series	315FC	CA 2460	-	1-1-101	6-MFA	ESS3-125-540	ESS3-15-510
0384-2051	Contender – Edge Series	315FC	CA 2460	-	1-1-101	6-MFA	ESS3-125-540	ESS3-15-300
0384-2052	Contender AF – Edge Series	315FC	CA 2460	-	1-1-GPN	8-55	ESS3-125-540	ESS3-40-510LP
0384-2045	Performer – Edge Series	100FC	CA 1350	(W-1) 0	0-3-101	4-MFA-1	ESS3-125-540	ESS3-15-510
0384-2046	Performer – Edge Series	100FC	CA 1350	(W-1) 0	0-3-101	4-MFA-1	ESS3-125-540	ESS3-15-300
0384-2060	Cutter Select ST 2600FC – Edge Series	ST 2600FC 21" 90°	-	-	-	-	ESS4-125-540	ESS4-15-510
0384-2061	Cutter Select ST 2600FC – Edge Series	ST 2600FC 21" 90°	-	-	-	-	ESS4-125-540	ESS4-15-300
0384-2062	Cutter Select ST 2600FC – Edge Series	ST 2600FC 21" 90°	-	-	-	-	ESS4-125-540	ESS4-40-510LP

EDGE™ Series Regulators

VICTOR
Professional
ESS4 & ESS3
Regulators

Yellow	Air
Red	Acetylene
Green	Oxygen
Black	Inert Gas
Grey	Carbon Dioxide
Orange	LPG

Ordering Information

ESS4 Heavy Capacity Edge Series Regulators

Series	Type	Capacity	Pressure (PSIG)	CGA	Gas Type	Model Number	Part Number
Edge	SS	4	125	346	Air	ESS4-125-346	0781-5142
Edge	SS	4	200	346	Air	ESS4-200-346	0781-5145
Edge	SS	4	15	510	Acetylene	ESS4-15-510	0781-5132
Edge	SS	4	15	510	Acetylene (longer swivel)	ESS4-15-510	0781-5159
Edge	SS	4	15	300	Acetylene	ESS4-15-300	0781-5133
Edge	SS	4	15	410	Acetylene	ESS4-15-410	0781-5140
Edge	SS	4	125	350	Hydrogen/Methane	ESS4-125-350	0781-5137
Edge	SS	4	200	350	Hydrogen/Methane	ESS4-200-350	0781-5138
Edge	SS	4	125	540	Oxygen	ESS4-125-540	0781-5127
Edge	SS	4	200	540	Oxygen	ESS4-200-540	0781-5131
Edge	SS	4	125	296	Industrial Oxidizing Mixtures	ESS4-125-296	0781-5130
Edge	SS	4	125	580	Inert (Nitrogen, Argon, Helium)	ESS4-125-580	0781-5143
Edge	SS	4	200	580	Inert (Nitrogen, Argon, Helium)	ESS4-200-580	0781-5144
Edge	SS	4	125	590	Industrial Air	ESS4-125-590	0781-5146
Edge	SS	4	200	320	Carbon Dioxide	ESS4-200-320	0781-5147
Edge	SS	4	40	510	LPG (now with longer swivel)	ESS4-40-510LP	0781-5135
Edge	SS	4	125	510	LPG (now with longer swivel)	ESS4-125-510LP	0781-5136

ESS3 Medium Capacity Edge Series Regulators

Edge	SS	3	125	346	Air	ESS3-125-346	0781-5115
Edge	SS	3	15	510	Acetylene	ESS3-15-510	0781-5105
Edge	SS	3	15	300	Acetylene	ESS3-15-300	0781-5106
Edge	SS	3	125	540	Oxygen	ESS3-125-540	0781-5100
Edge	SS	3	40	580	Inert (Nitrogen, Argon, Helium)	ESS3-40-580	0781-5122
Edge	SS	3	125	580	Inert (Nitrogen, Argon, Helium)	ESS3-125-580	0781-5116
Edge	SS	3	40	510	LPG	ESS3-40-510LP	0781-5108

ESS3 Medium Capacity Edge Series Flow Gauges

Edge	SS	3	40 (SCFH)	580	Argon	ESS3-FG-580	0781-5120
Edge	SS	3	40 (SCFH)	320	Carbon Dioxide	ESS3-FG-320	0781-5119

Model Numbering Explanation

New Model No.	Series	Type	Capacity	Max. Delivery Pressure	CGA Connection
ESS4-125-540	E	SS	4	125	540
			↓		
			"3" - Medium Capacity "4" - High Capacity		
			↓		
		"SS" - Single Stage, Side Inlet "TS" - Two Stage, Side Inlet			
		↓			
	"E" - Standard Industrial Edge Regulators				

ESS3
Flow Gauges

U.S. Customer Care: 800-426-1888 / FAX 800-535-0557 • Canada Customer Care: 905-827-4515 / FAX 800-588-1714
International Customer Care: 940-381-1212 / FAX 940-483-8178 • www.victorequip.com

THERMADYNE
WORLD HEADQUARTERS: 16052 Swingley Ridge Road, Suite 300 • St. Louis, Missouri 63017 U.S.A.

A Global Cutting & Welding Market Leader™