

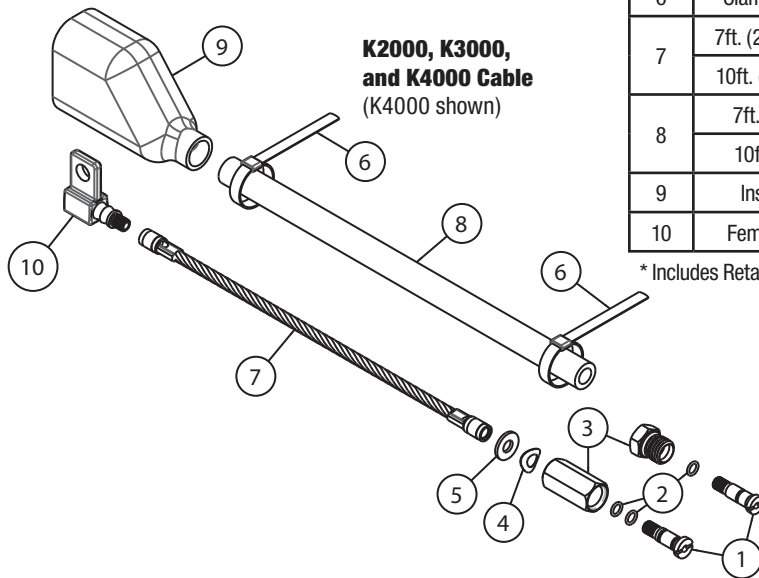
Manual Gouging Torches

K2000, K3000, & K4000 SWIVEL CABLE REPLACEMENT PARTS

CABLE REPLACEMENT PARTS LIST

Item	Description	K2000 & K3000	K4000
	7ft. (2.1M) Swivel Cable	70-088-107	70-084-207
	10ft. (3M) Swivel Cable	70-088-110	70-084-210
1	Retainer Screw	94-695-054	94-170-182 *
2	O-Ring	94-710-027	
3	Connector	94-170-178	
4	Spring Washer	94-940-104	94-940-104
5	Flat Washer	94-940-103	94-940-103
6	Clamp (2 Required)	98-167-010	98-167-010
7	7ft. (2.1M) Conductor	96-130-314	96-130-263
	10ft. (3M) Conductor	96-130-315	96-130-261
8	7ft. (2.1M) Cover	94-171-273	94-171-273
	10ft. (3M) Cover	94-171-274	94-171-274
9	Insulating Boot	94-105-014	94-105-014
10	Female Connector	94-170-150	94-170-150

* Includes Retainer Screw, O-Ring, and Connector



K2000, K3000, and K4000 Cable
(K4000 shown)

POWER & AIR HOOK-UP KIT

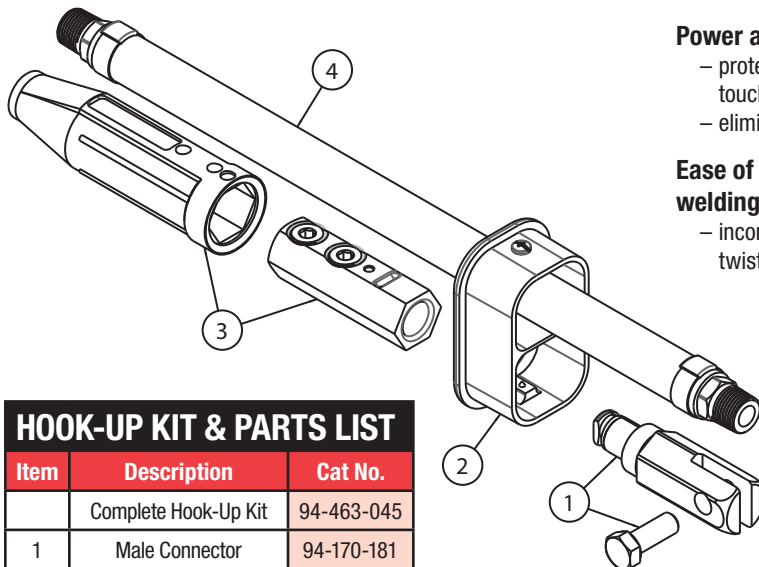
FEATURES & BENEFITS

Power and air connection fully enclosed

- protects the electrical connection from touching the work when in operation
- eliminates the need to insulate with electrical tape

Ease of connecting the torch and cable to a welding power supply

- incorporates a Tweco Product manual twist lock connector (female)



HOOK-UP KIT & PARTS LIST

Item	Description	Cat No.
	Complete Hook-Up Kit	94-463-045
1	Male Connector	94-170-181
2	Cable Boot Cap	94-105-026
3	4-WPC-R Connector	4WPC-R
4	Pigtail Air Supply Hose	94-396-205