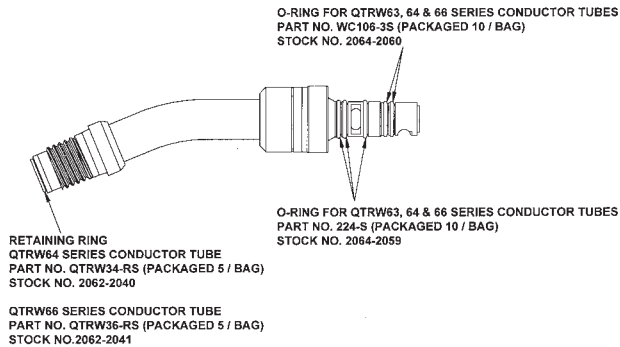


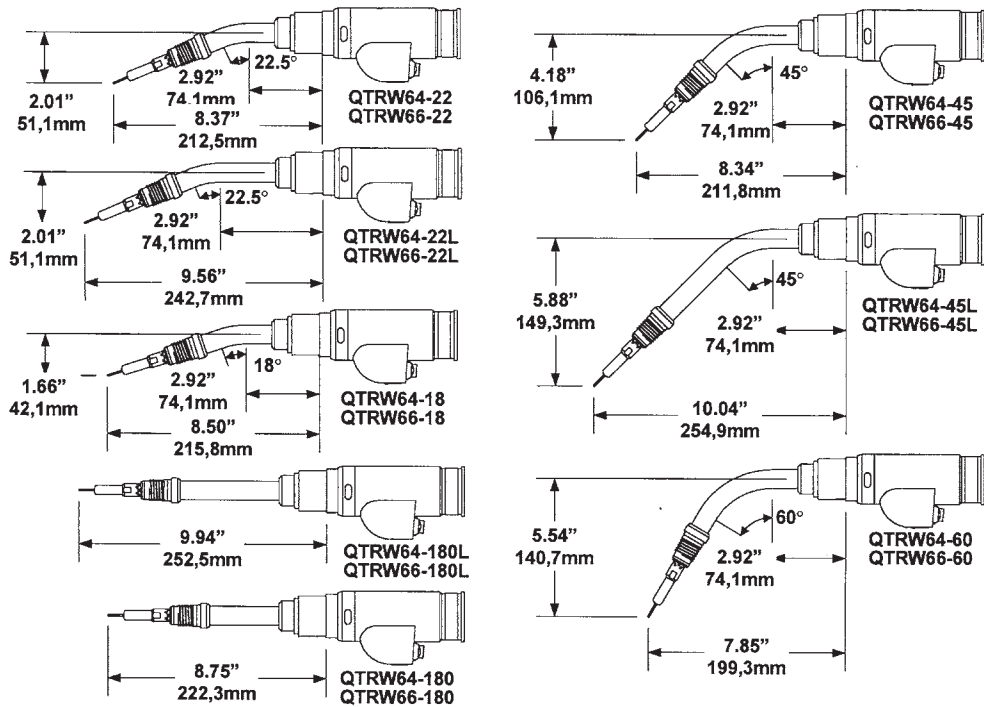
QTRW Series 400 & 600 amp Water-cooled Robotic Conductor Tube QTRW64 Series (400 amp) Conductor Tube

	18°	22°	45°	60°	180°	22°L	45°L	180°L
Part No.	QTRW64-18	QTRW64-22	QTRW64-45	QTRW64-60	QTRW64-180	QTRW64-22L	QTRW64-45L	QTRW64-180L
Stock No.	1646-1700	1646-1701	1646-1702	1646-1703	1646-1704	1646-1705	1646-1707	1646-1706



QTRW66 Series (600 amp) Conductor Tube

	18°	22°	45°	60°	180°	22°L	45°L	180°L
Part No.	QTRW66-18	QTRW66-22	QTRW66-45	QTRW66-60	QTRW66-180	QTRW66-22L	QTRW66-45L	QTRW66-180L
Stock No.	1663-1700	1663-1701	1663-1702	1663-1703	1663-1704	1663-1705	1663-1707	1663-1706



NOTE: Wire stick-out equals 5/8" (15,88mm)